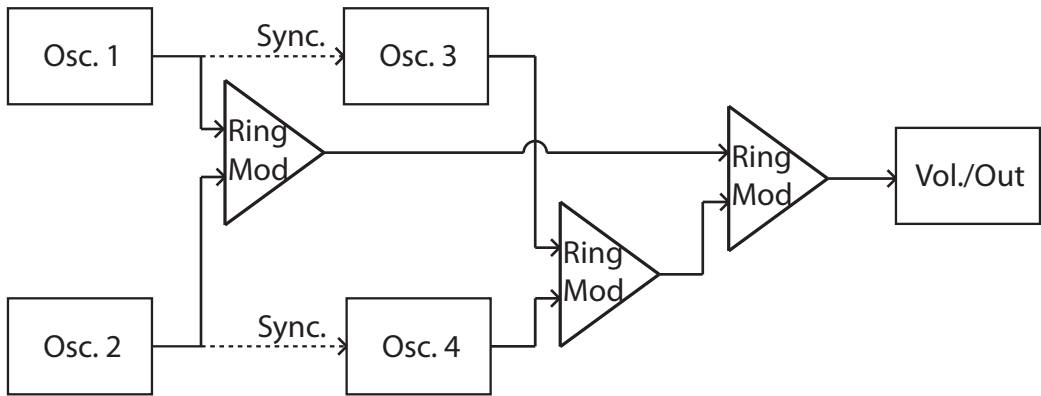


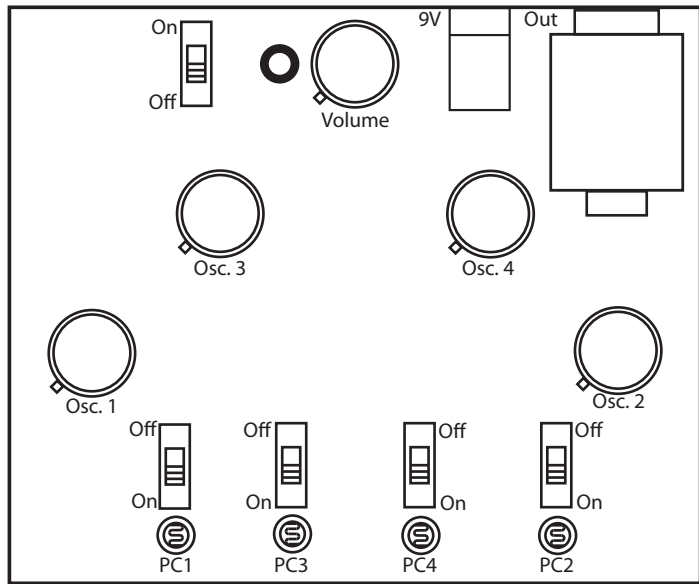


Model: WSB-A Rev: Prod. 1

- * The WSB-A ("wasab-a") is the first in a series of two self-contained, quad oscillator, pcb synthesizers intended for synth- diy workshops
- * The four square wave oscillators in the WSB-A interact in a complex network as shown in the following block diagram:



- * Each oscillator has a photocell (PC) that allows for pitch to be controlled by light
- * This unit runs on a standard Boss style 9V power supply (2.1mm center pin, center negative)



Notes:

- * Always leave the unit off and unplugged when not in use
- * Watch amplifier volume level when plugging in and turning on/off the unit
- * Please email Damon at marsynth@gmail.com for questions, comments, and service requests